

RX+DTR can be used for external triggering when using the IEEE-488 interface. See Fluke 45 Manual page 5-12/5-13 under "External Triggering via the Computer Interface".

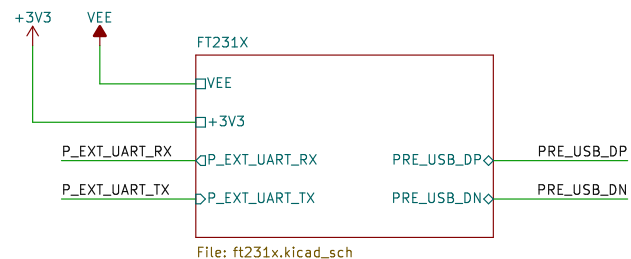
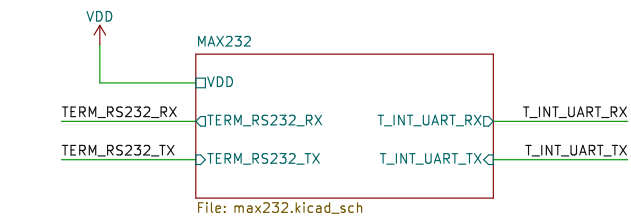
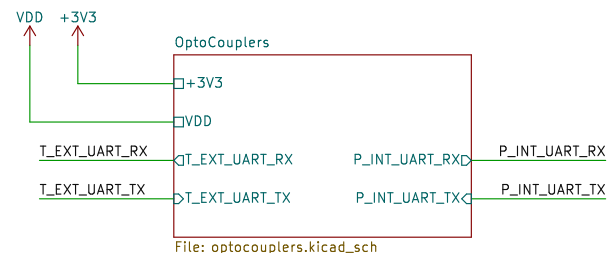
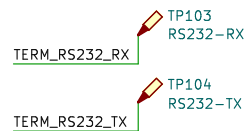
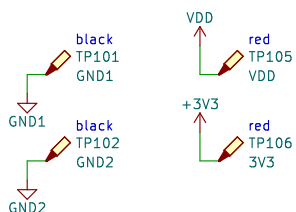
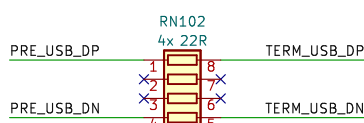
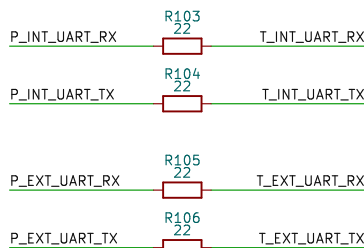
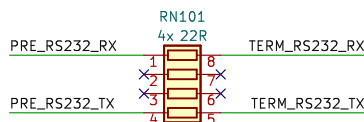
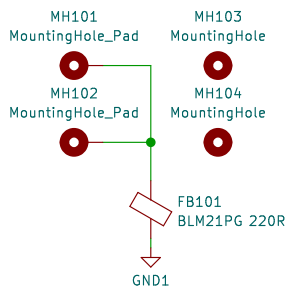
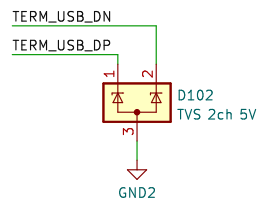
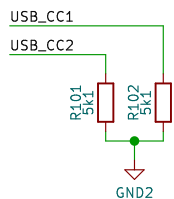
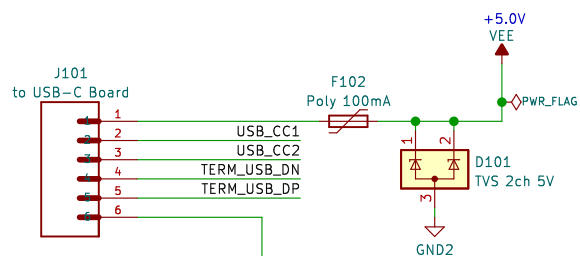
RS232 TX:
with nothing attached to the RS232 port:
Inactive -7.6V
when attached to the discrete 3.3V RS232-to-UART converter:
Inactive -4.3V
Active +4.8V

RS232 RX:
with nothing attached to the RS232 port:
Inactive 0V
when attached to the discrete 3.3V RS232-to-UART converter:
Inactive -2.4V
Active +3.0V

RS232 DTR:
Permanently +5.3V

UART RX/TX w/ 3V3 I/O:
Inactive +3.3V
Active 0V

Maximum working Baudrate measured:
(v5) RS232 TX: 57600
(v5) RS232 RX: 38400
Fluke 45 max. Baudrate: 9600



by TS

Sheet:
File: DEV-Fluke45_RS232_to_USB-MainBrd.kicad_sch

Title: RS232 to USB Converter for Fluke 45 - Main Board

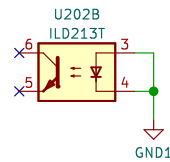
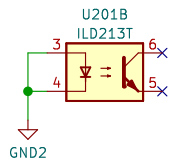
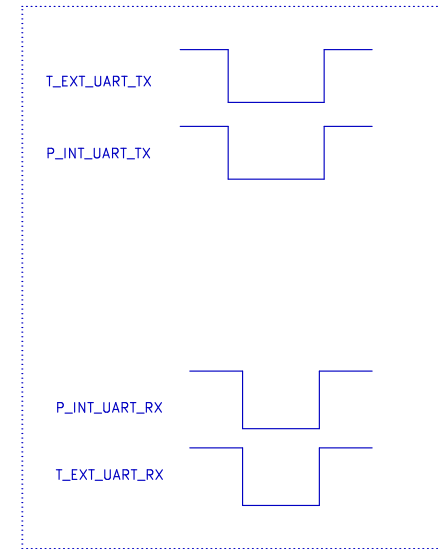
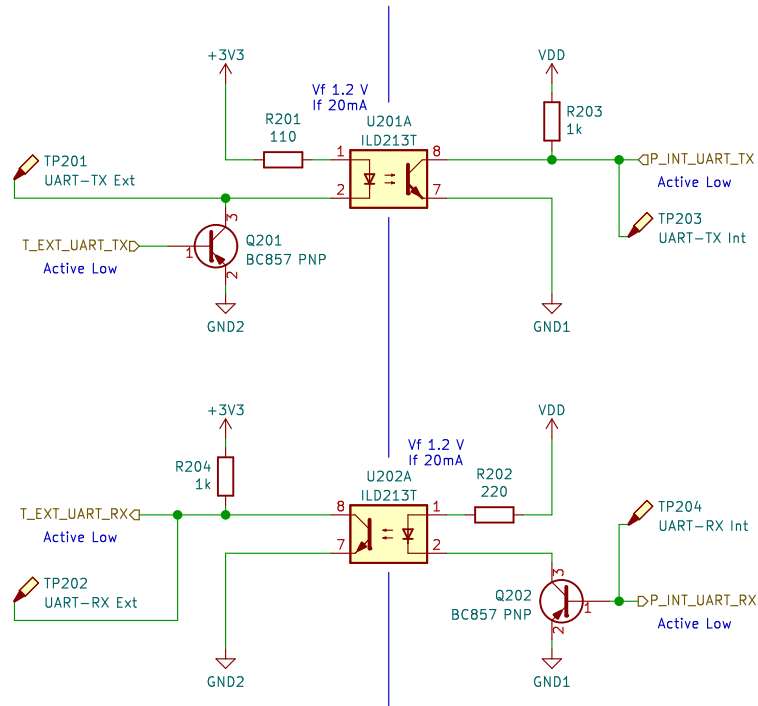
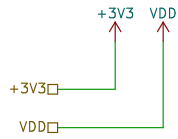
Size: A4 Date: 2023-03-02

KiCad E.D.A. kicad (7.0.0-0)

Rev: v8

Id: 1/4

VDD/GND1 is RS232_DTR
 +3V3/GND2 come from the USB port



by TS

Sheet:
 File: optocouplers.kicad_sch

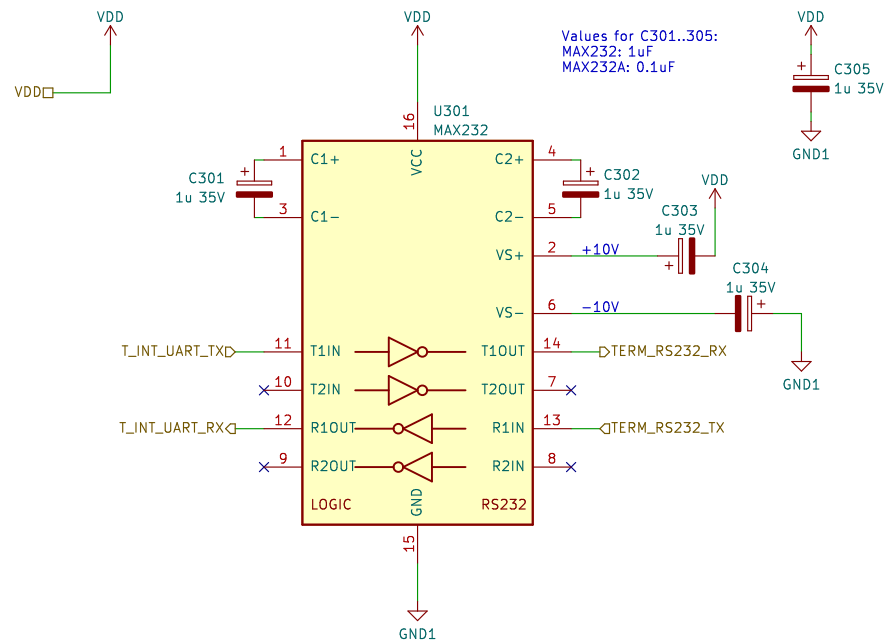
Title: RS232 to USB Converter for Fluke 45 – Main Board

Size: A4 Date: 2023-03-02

KiCad E.D.A. kicad (7.0.0-0)

Rev: v8

Id: 2/4



MAX232 or MAX232A

by TS

Sheet:
 File: max232.kicad_sch

Title: RS232 to USB Converter for Fluke 45 – Main Board

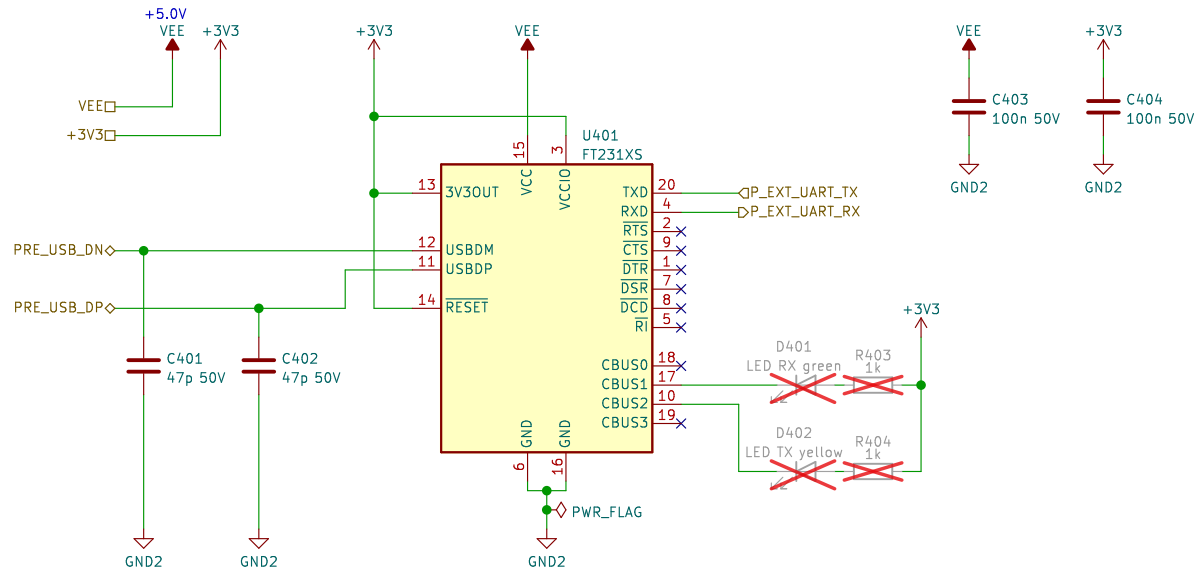
Size: A4 Date: 2023-03-02

KiCad E.D.A. kicad (7.0.0-0)

Rev: v8

Id: 3/4





FT231XS
by TS

Sheet:
File: ft231x.kicad_sch

Title: RS232 to USB Converter for Fluke 45 – Main Board

Size: A4 Date: 2023-03-02

KiCad E.D.A. kicad (7.0.0-0)

Rev: v8

Id: 4/4

